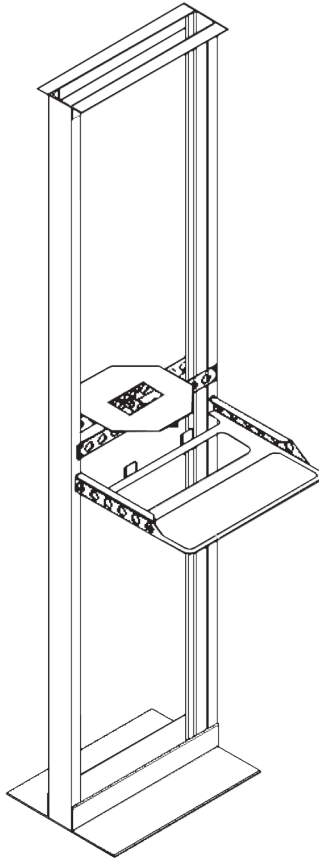


2Post Keyboard Shelf Kit 2Post Monitor Shelf Kit



Installation Instructions
Kit P/N: 1USHL-003, 004

Keyboard Shelf Installation Instructions

Kit Contents:

- (1) Shelf
- (6) 12-24 Bolts
- (6) 12-24 Screws

Tools needed:

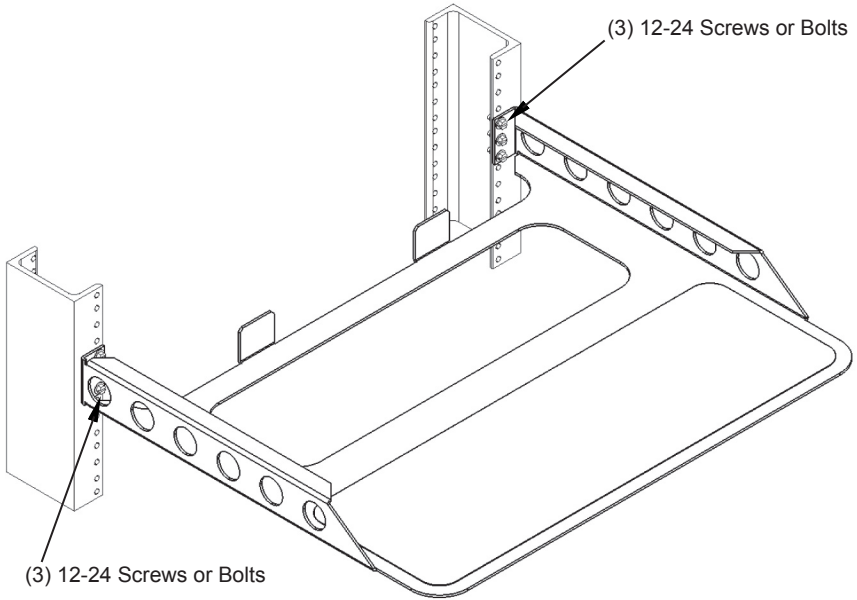
- Phillips Screwdriver for the Screws or a
5/16" Nut Driver for the Bolts

Bracket Installation Procedure:

Step 1. Select the location of the keyboard shelf: (shelf occupies 1.75").

Step 2. Mount the shelf per the diagram below: Use either (6) 12-24 screws or (6) 12-24 bolts.

Keyboard Shelf Diagram



Monitor Shelf Installation Diagram

Kit Contents:

- (1) Shelf
- (4) 12-24 Bolts
- (8) 12-24 Screws

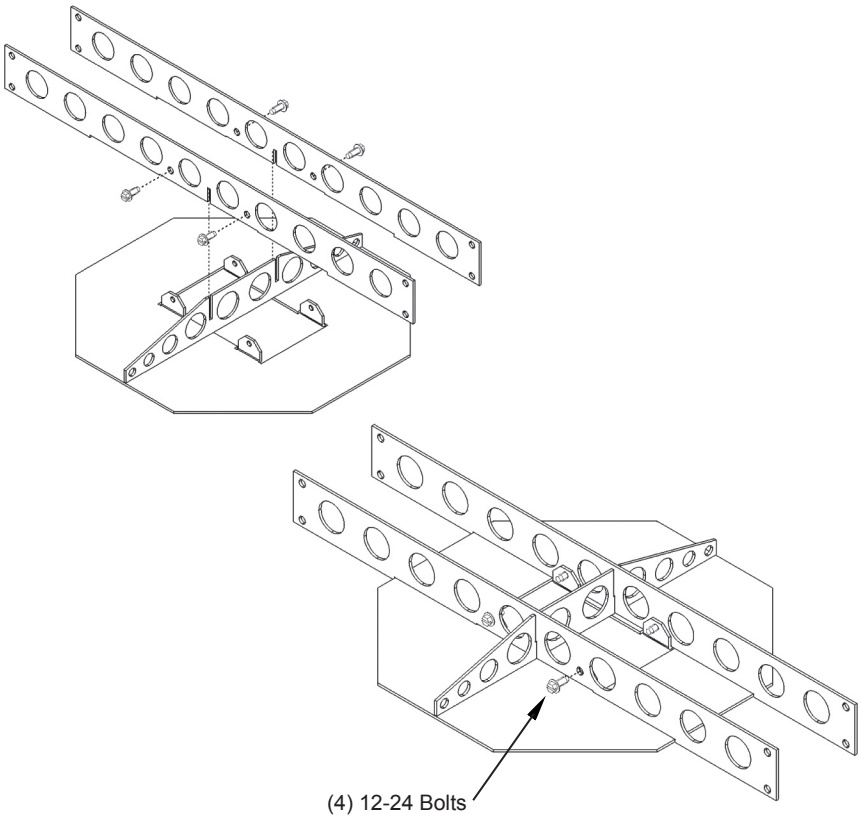
Tools needed:

- Phillips Screwdriver for the Screws or a
- 5/16" Nut Driver for the Bolts

Bracket Installation Procedure:

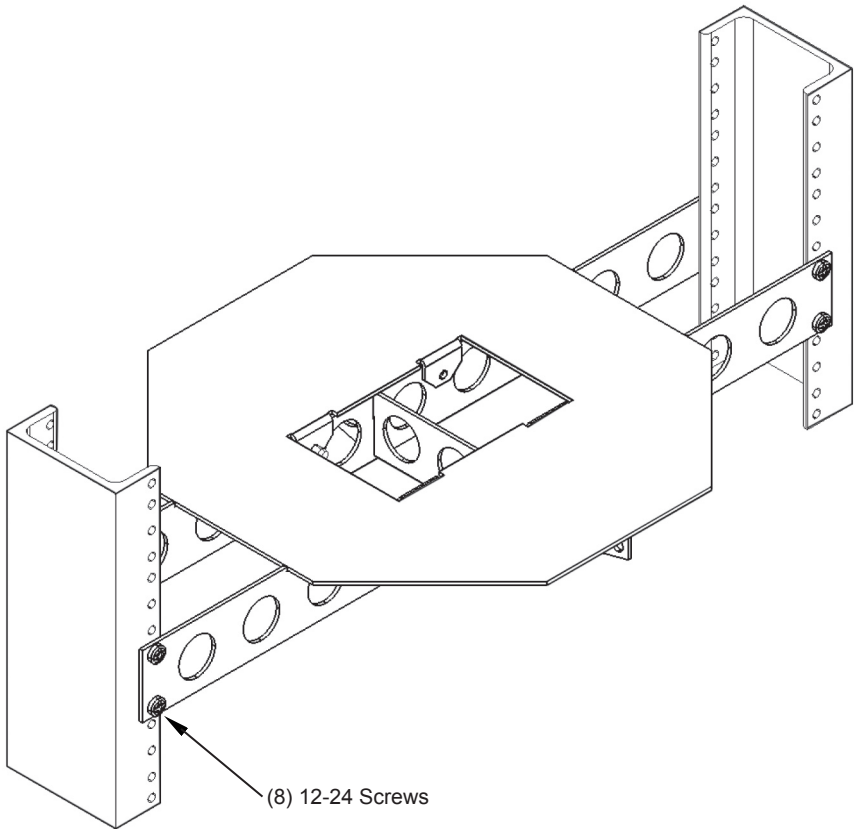
- Step 1.** Select the location of the monitor shelf: (shelf occupies 1.75").
- Step 2.** Assemble the shelf per the diagrams below: Use (4) 12-24 bolts.

Keyboard Shelf Diagram



- Step 3.** Install the shelf in the desired rack location: Use (8) 12-24 screws per the diagram on the next sheet.

Monitor Shelf Installation Diagram (continued)



Warranty Statement

Innovation First, Inc. warrants our products against defects in material and workmanship for a period of one (1) year from the date of purchase. Innovation First, Inc. liability shall be limited to repairing or replacing, at our option, any defective product.